
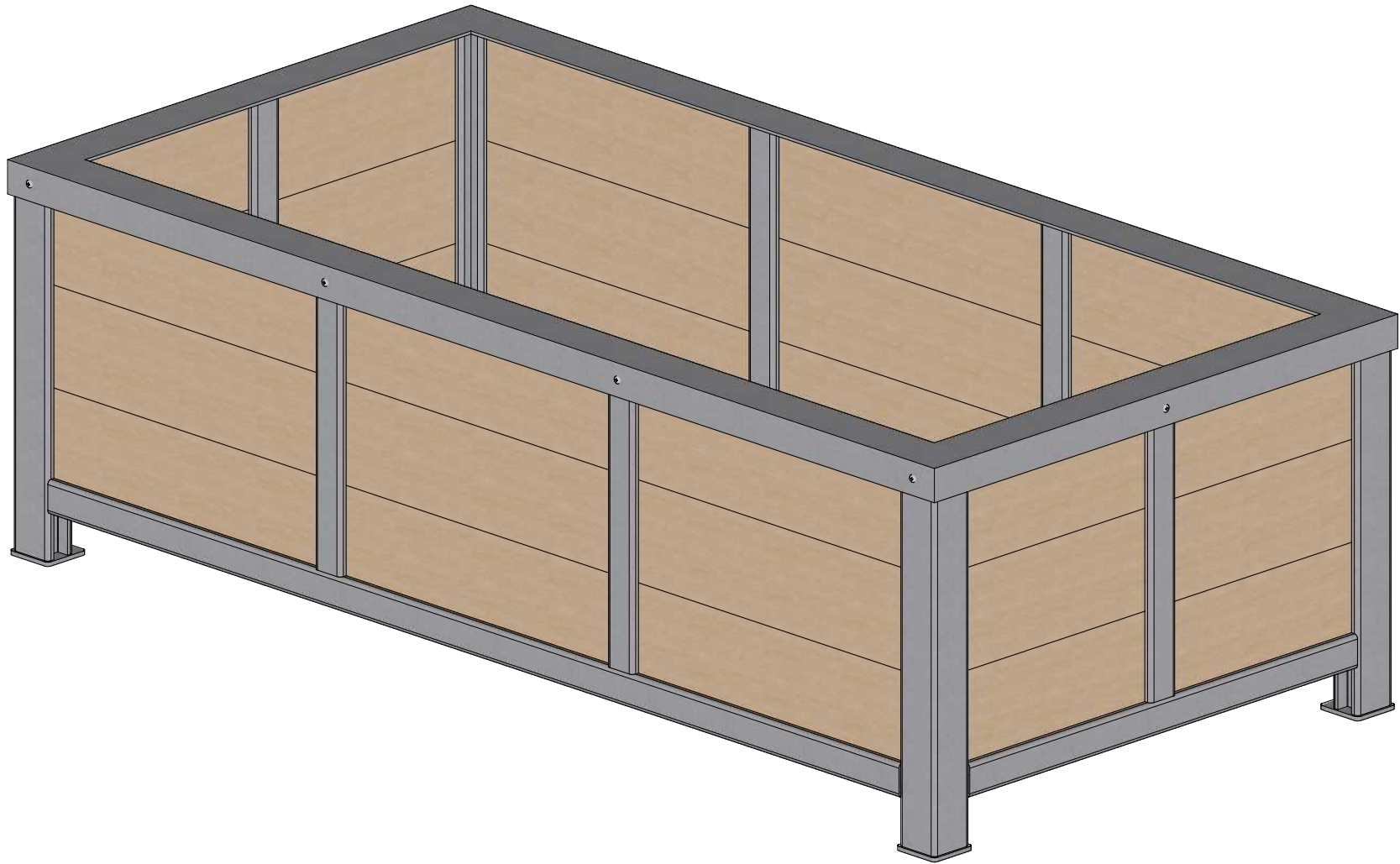



| | | | | |
|--|---|---------------------------------|-------------------------|---------------------------|
|  | WISHBONE SITE FURNISHINGS 210-27090 GLOUCESTER WAY LANGLEY, BC | | | |
| | DWG. TITLE: RUTHERFORD PLANTER 3' x 6' REVISION: 02/05/22 R:00 | | | |
| MATERIAL: ALUMINUM | DWG. NO. DWSBPL02052200 | DRAWN BY: GARY PARMAR | | |
| PATTERN NO. N/A | MODEL NO. RPL-36 | SCALE: 1:16 | SHEET: 1 OF 2 | DATE: 02 MAY 22 |



| | | | | |
|--|---|---------------------------------|-------------------------|---------------------------|
|  | WISHBONE SITE FURNISHINGS 210-27090 GLOUCESTER WAY LANGLEY, BC | | | |
| | DWG. TITLE: RUTHERFORD PLANTER 3' x 6' REVISION: 02/05/22 R:00 | | | |
| MATERIAL: ALUMINUM | DWG. NO. DWSBPL02052200 | DRAWN BY: GARY PARMAR | | |
| PATTERN NO. N/A | MODEL NO. RPL-36 | SCALE: AS SHOWN | SHEET: 2 OF 2 | DATE: 02 MAY 22 |